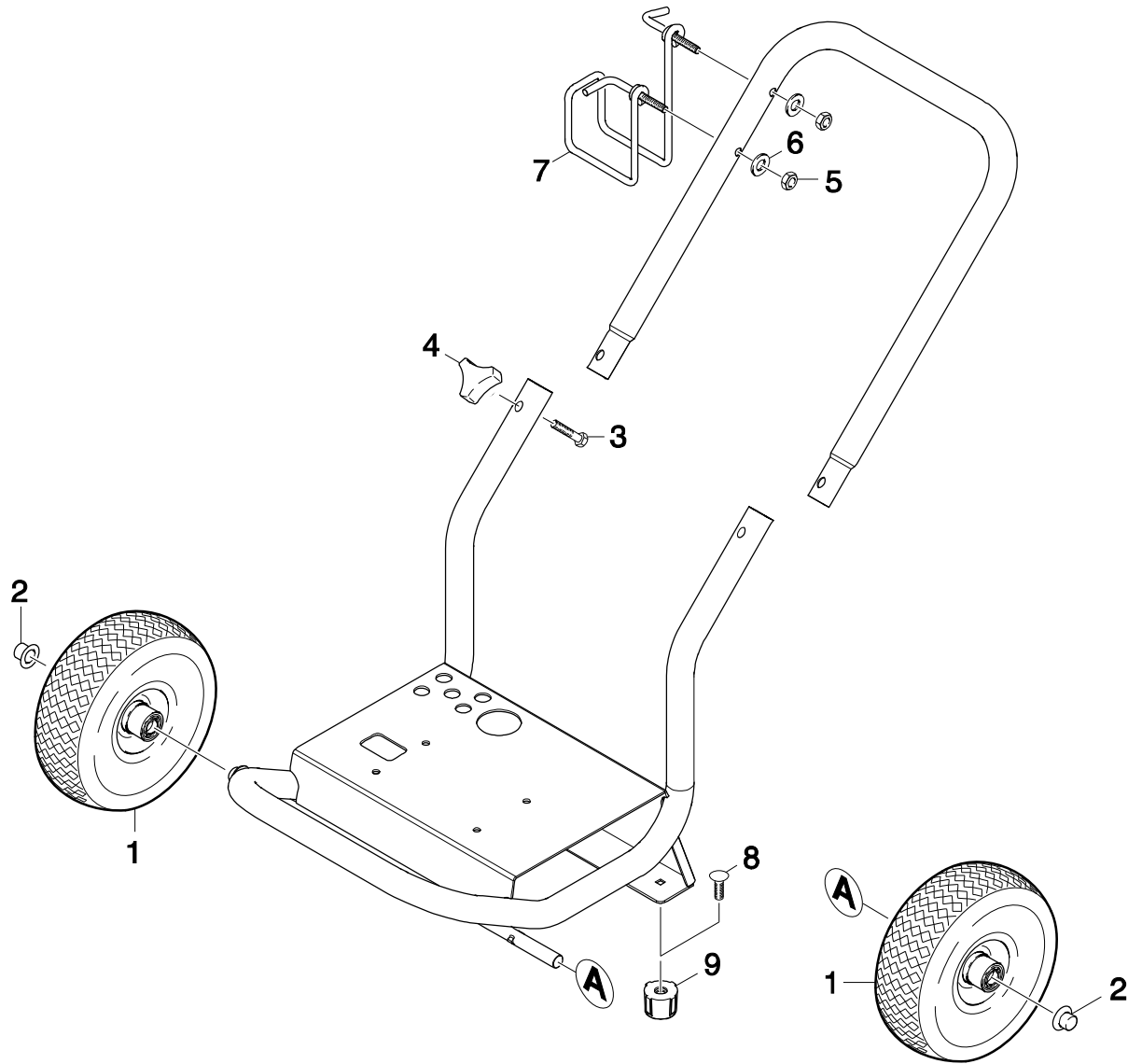


FRAME

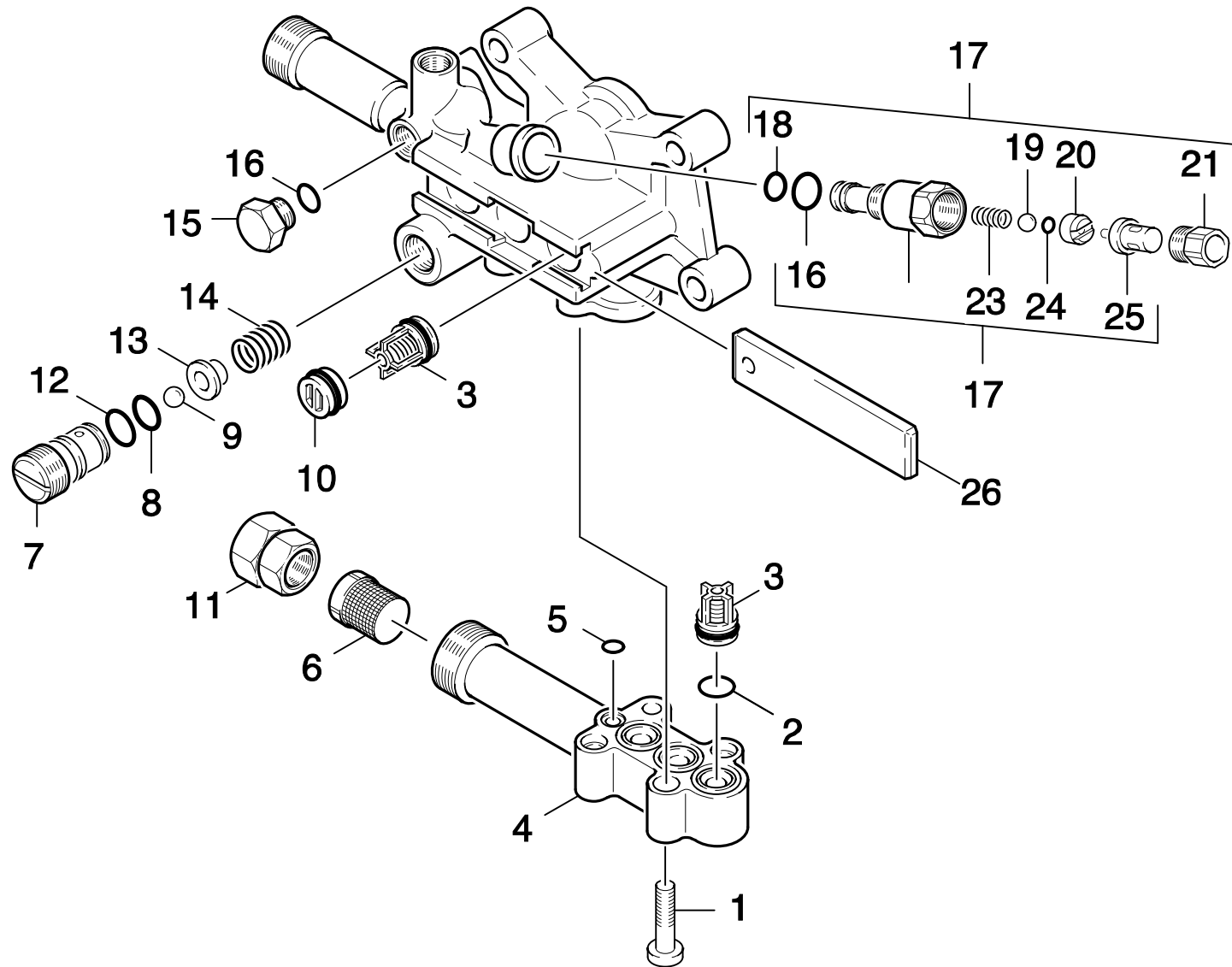


FRAME

POS ITM. POS.	BENENNUNG DESCRIPTION DESIGNATION	TEILE-NR PART-NO NO. PIECE	STCK QTY. NBR	AB WERK-NR FROM SERIAL-NO TO SERIAL-NO	BIS WERK-NR
---------------------	---	----------------------------------	---------------------	---	-------------

0001	WHEEL	9.189-007.0	2,000		
0002	CAP FASTENER	9.182-004.0	2,000		
0003	BOLT	9.196-307.0	2,000		
0004	KNOB	9.182-353.0	2,000		
0005	NUT	5.310-105.0	2,000		
0006	WASHER	9.198-003.0	2,000		
0007	HANGER RT SIDE	9.142-014.0	1,000		
0008	BOLT	9.196-308.0	2,000		
0009	RUBBER DAMPENER	9.183-405.0	2,000		

HOUSING

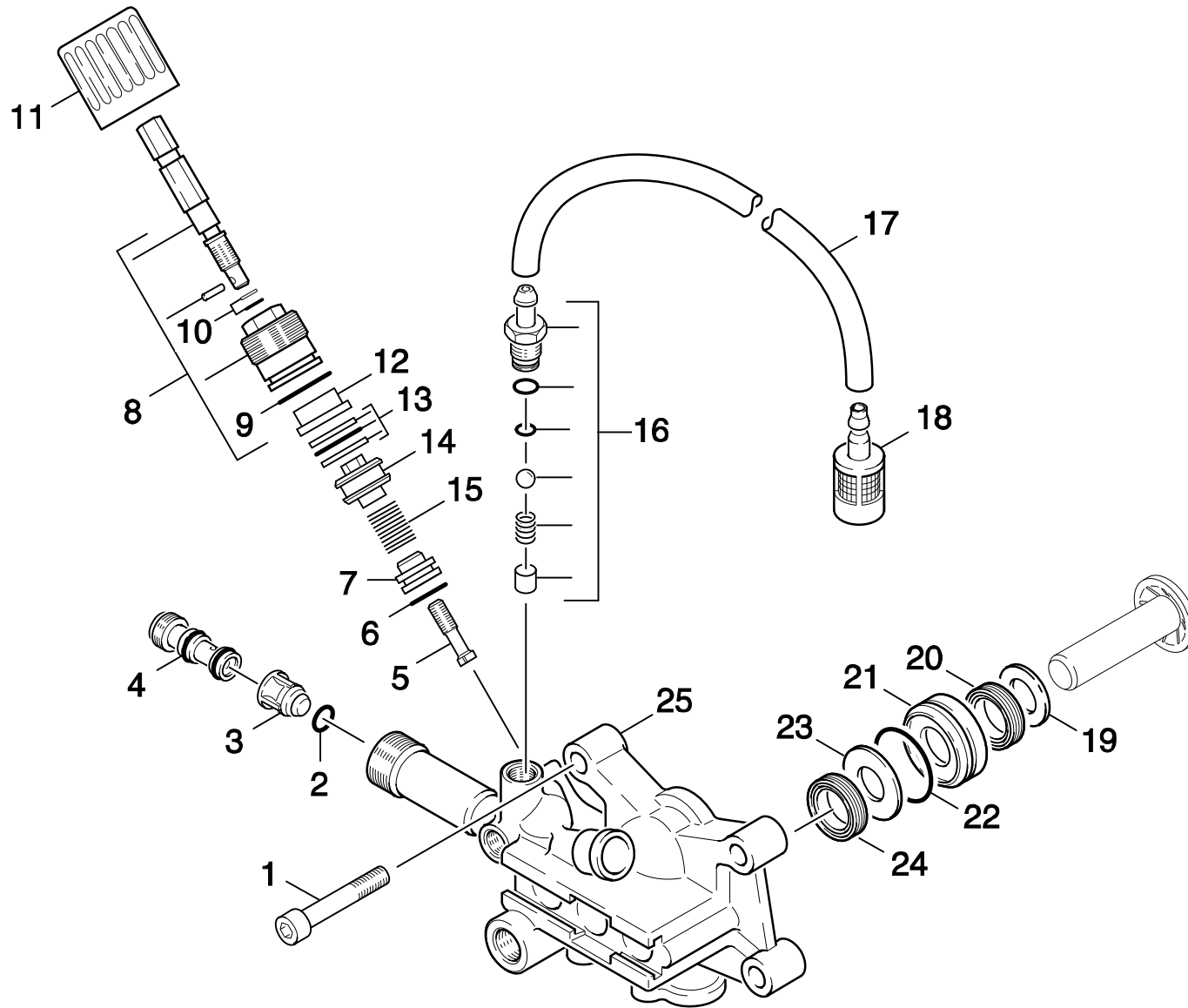


HOUSING

POS ITM. POS.	BENENNUNG DESCRIPTION DESIGNATION	TEILE-NR PART-NO NO. PIECE	STCK QTY. NBR	AB WERK-NR FROM SERIAL-NO TO SERIAL-NO	BIS WERK-NR
---------------------	---	----------------------------------	---------------------	---	-------------

0001	SCREW	7.306-105.0	4,000		
0002	GASKET	6.362-533.0	3,000		
0003	VALVE KPL.	4.580-371.0	6,000		
0004	COVER	5.063-897.0	1,000		
0005	GASKET	6.362-472.0	1,000		
0006	FILTER	6.414-252.0	1,000		
0007	VALVE SCREW	5.583-164.0	1,000		
0008	GASKET	6.362-458.0	1,000		
0009	BALL	7.401-909.0	1,000		
0010	DRAIN PLUG	4.132-007.0	4,000		
0011	SWIVEL ADAPTER	9.154-009.0	1,000		
0012	GASKET	6.362-169.0	1,000		
0013	VALVE DISC	5.582-119.0	1,000		
0014	COIL SPRING	5.332-203.0	1,000		
0015	SCREW PLUG	5.411-070.0	1,000		
0016	GASKET	6.362-101.0	2,000		
0017	THERMOVALVE	4.580-358.0	1,000		
0018	GASKET	6.362-498.0	1,000		
0019	BALL	7.401-009.0	1,000		
0020	WASHER	5.115-876.0	1,000		
0021	CLOSING SREW	5.411-150.0	1,000		
0023	HELICAL SPRING	5.332-233.0	1,000		
0024	GASKET	6.362-853.0	1,000		
0025	VALVE	6.413-067.0	1,000		
0026	PLATE	5.003-983.0	1,000		
0100	SPARE PARTS KIT	2.884-215.0	1,000		

CHEMISTRY

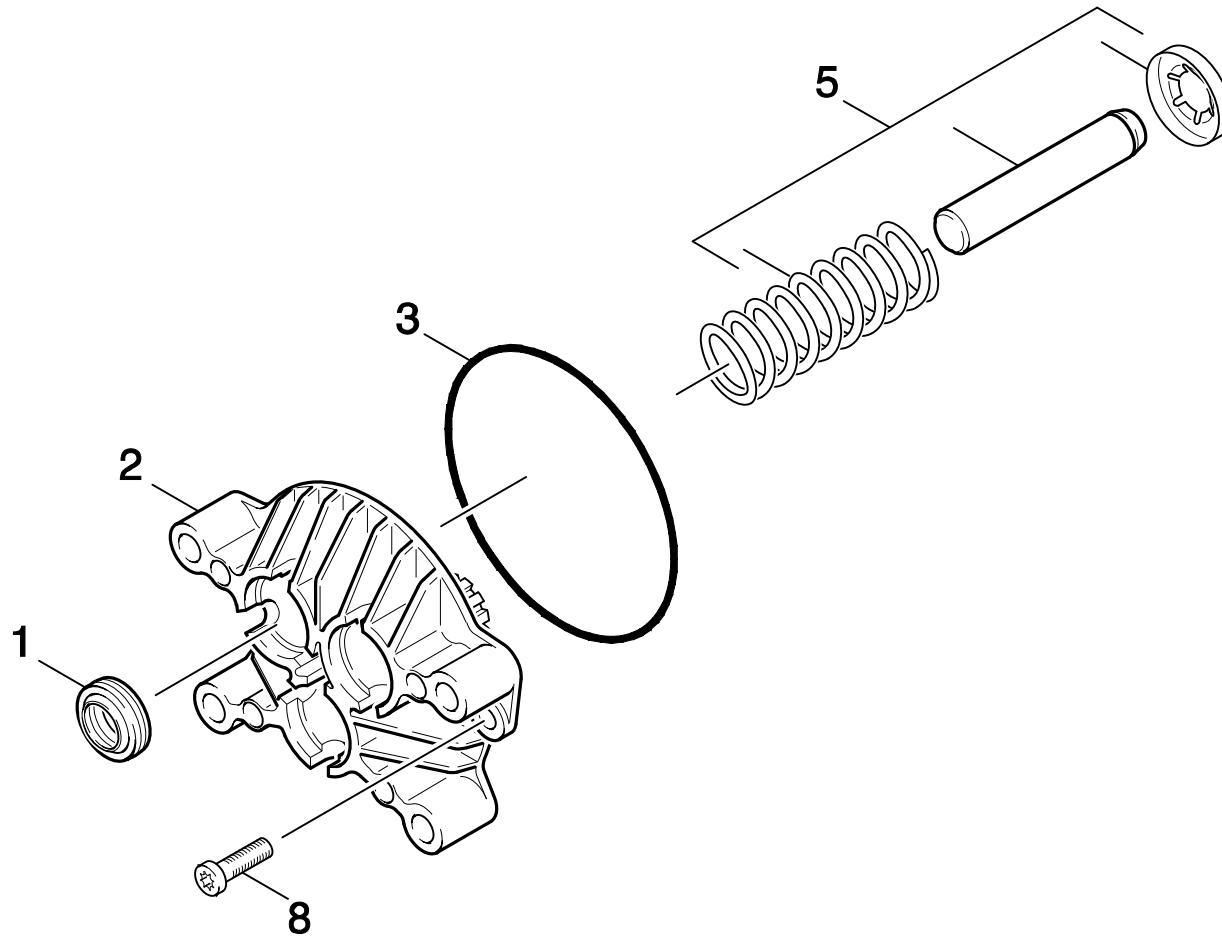


CHEMISTRY

POS ITM. POS.	BENENNUNG DESCRIPTION DESIGNATION	TEILE-NR PART-NO NO. PIECE	STCK QTY. NBR	AB WERK-NR FROM SERIAL-NO TO SERIAL-NO	BIS WERK-NR
---------------------	---	----------------------------------	---------------------	---	-------------

0001	CHEESE HEAD SCREW	7.306-047.0	4,000		
0002	GASKET	6.362-851.0	1,000		
0003	VALVE PIN	5.584-091.0	1,000		
0004	NOZZLE INSERT	4.769-040.0	1,000		
0005	SCREW	5.305-274.0	1,000		
0006	GASKET	6.362-169.0	1,000		
0007	VALVE SEAT	5.581-242.0	1,000		
0008	SCREW UNION PART	4.401-079.0	1,000		
0009	GASKET	6.362-989.0	1,000		
0010	GASKET COMPL.	6.362-468.0	1,000		
0011	HANDLE	5.321-307.0	1,000		
0012	SLEEVE	5.110-630.0	1,000		
0013	GASKET COMPL.	6.362-454.0	1,000		
0014	PISTON	5.553-363.0	1,000		
0015	SPRING	5.332-425.0	1,000		
0016	SPARE PARTS KIT	2.883-862.0	1,000		
0017	HOSE (TO ORDER AS CUT GOODS)	6.388-216.0	1,000		
0018	CHEMICAL VALVE	4.862-032.0	1,000		
0019	WASHER	5.115-465.0	3,000		
0020	SEAL	6.365-438.0	3,000		
0021	BUSH	5.112-576.0	3,000		
0022	GASKET	6.362-376.0	3,000		
0023	WASHER	5.115-744.0	3,000		
0024	GROOVED RING	6.365-432.0	3,000		
0025	CYLINDER HEAD	5.550-265.0	1,000		

PISTON

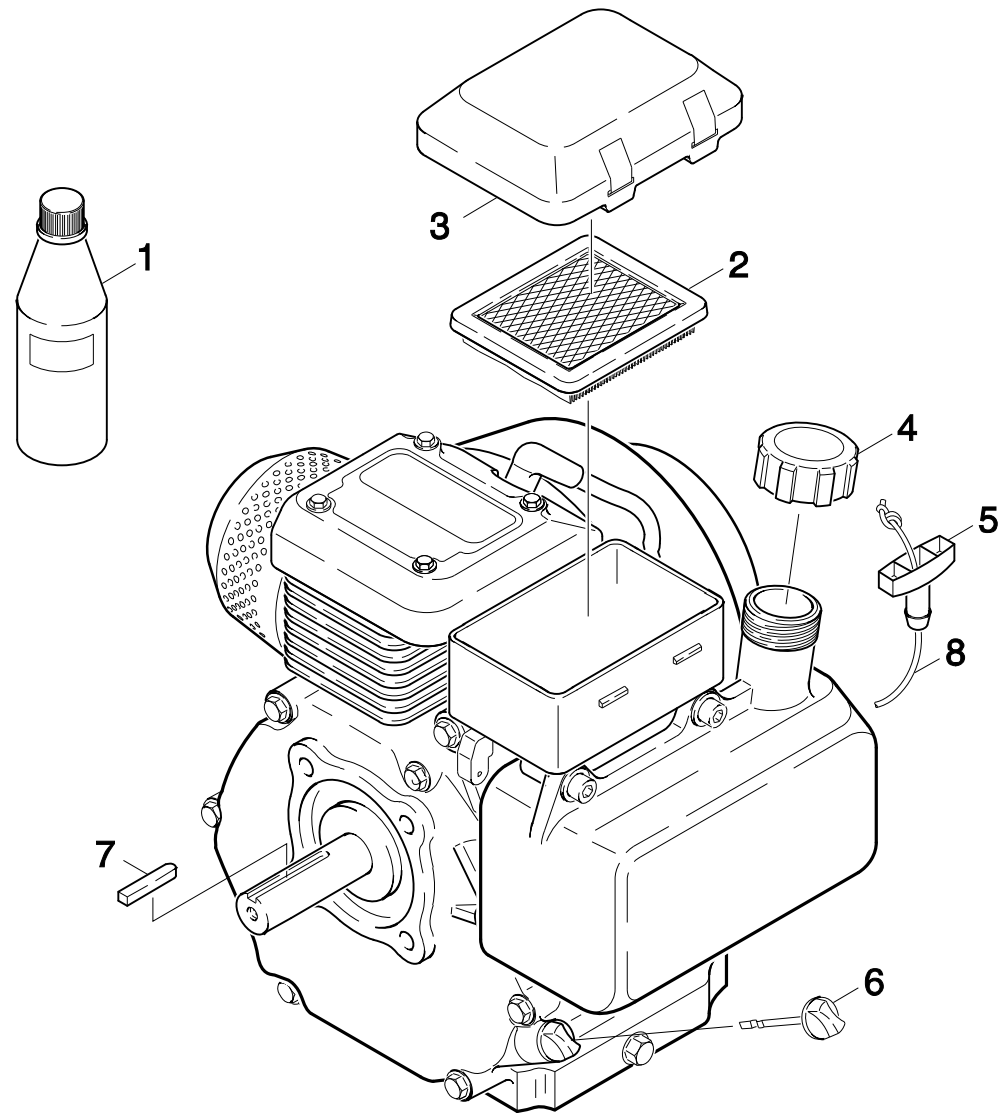


PISTON

POS ITM. POS.	BENENNUNG DESCRIPTION DESIGNATION	TEILE-NR PART-NO NO. PIECE	STCK QTY. NBR	AB WERK-NR FROM SERIAL-NO TO SERIAL-NO	BIS WERK-NR
---------------------	---	----------------------------------	---------------------	---	-------------

0001	GROOVED RING	6.365-340.0	3,000		
0002	PISTON GUIDE	5.060-677.0	1,000		
0003	GASKET	6.362-768.0	1,000		
0005	PISTON ASSY	9.172-301.0	1,000		
0008	SCREW	7.303-047.0	2,000		

MOTOR

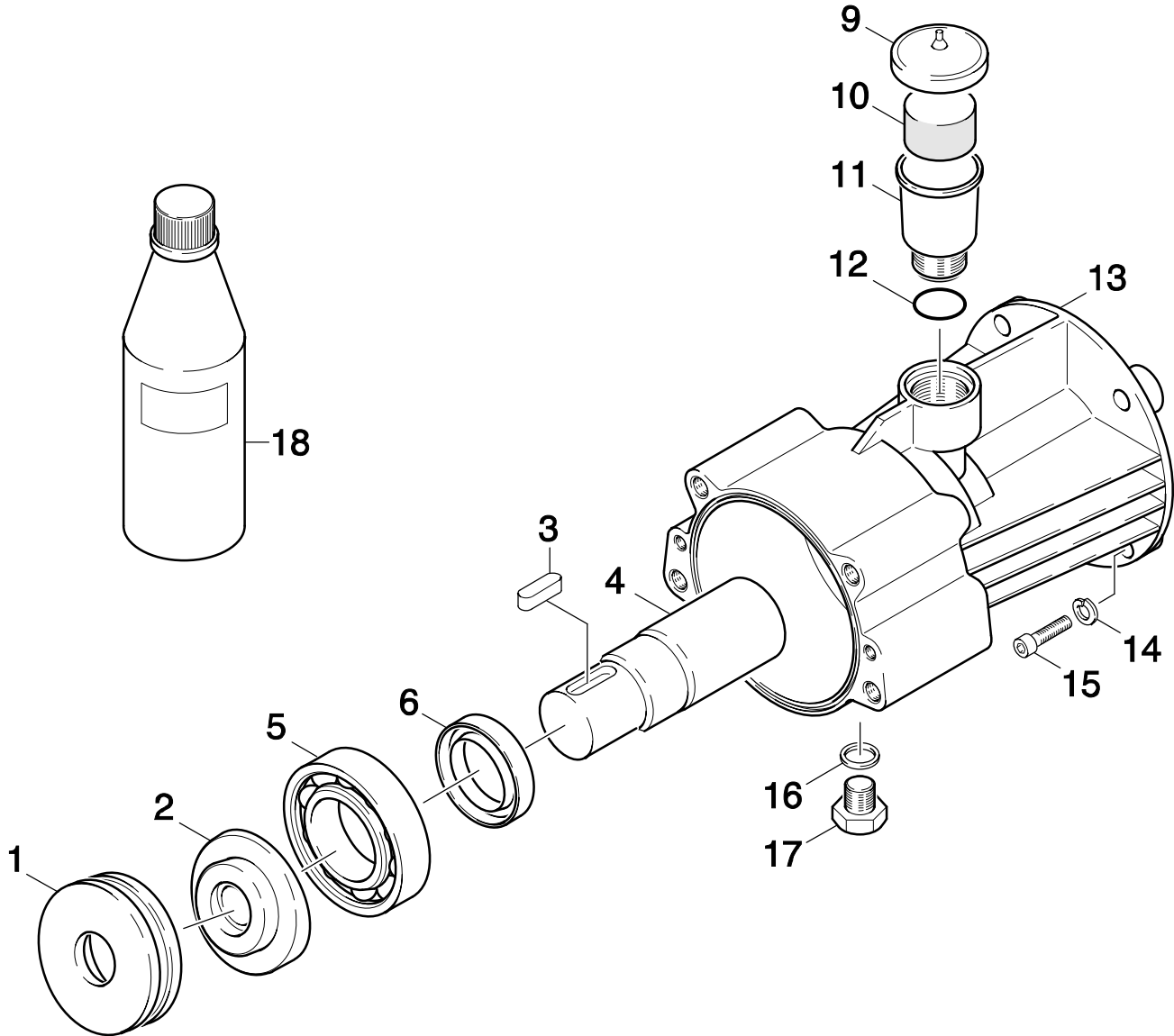


MOTOR

POS ITM. POS.	BENENNUNG DESCRIPTION DESIGNATION	TEILE-NR PART-NO NO. PIECE	STCK QTY. NBR	AB WERK-NR FROM SERIAL-NO TO SERIAL-NO	BIS WERK-NR
---------------------	---	----------------------------------	---------------------	---	-------------

0001	OIL 1 LITRE	6.288-050.0	1,000		
0002	AIR FILTER ELEMENT	6.491-726.0	1,000		
0003	COVER	9.194-543.0	1,000		
0004	CAP OF TANK	9.194-548.0	1,000		
0005	HANDLE	6.491-503.0	1,000		
0006	OIL DIP ROD	9.194-531.0	1,000		
0007	SHAFT KEY	9.194-546.0	1,000		
0008	STARTER ROPE	6.491-546.0	1,000		

ACTUATION

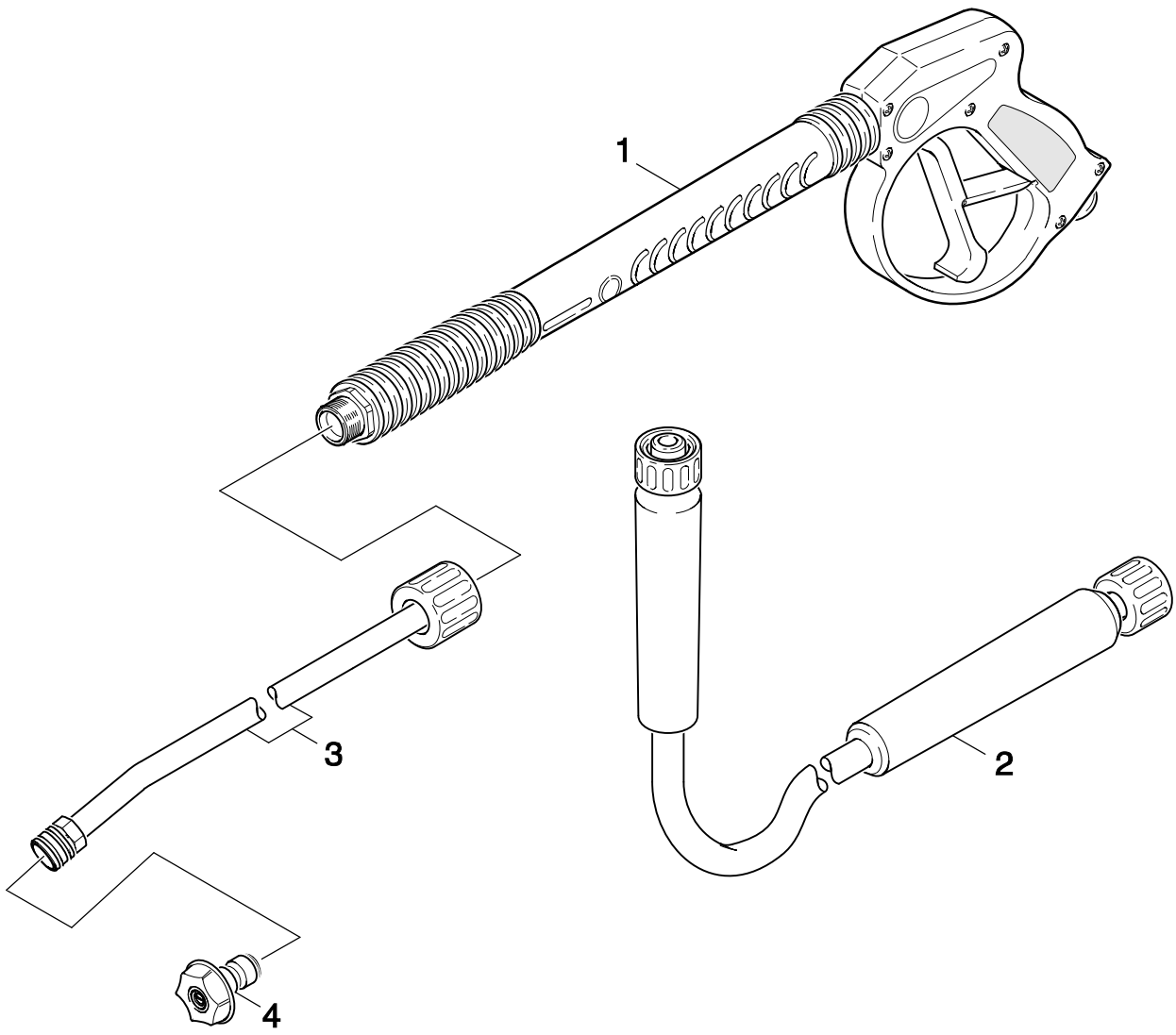


ACTUATION

POS ITM. POS.	BENENNUNG DESCRIPTION DESIGNATION	TEILE-NR PART-NO NO. PIECE	STCK QTY. NBR	AB WERK-NR FROM SERIAL-NO TO SERIAL-NO	BIS WERK-NR
---------------------	---	----------------------------------	---------------------	---	-------------

0001	AXIAL	6.401-185.0	1,000		
0002	SWASH PLATE	5.120-251.0	1,000		
0003	KEY	7.318-002.0	1,000		
0004	COUPLING ELEMENT	5.471-107.0	1,000		
0005	BALL BEARING	6.401-332.0	1,000		
0006	SEAL RING	7.367-018.0	1,000		
0009	COVER	5.063-651.0	1,000		
0010	PLUG	5.132-107.0	1,000		
0011	TANK	5.070-194.0	1,000		
0012	GASKET	6.362-168.0	1,000		
0013	HOUSING	5.093-207.0	1,000		
0014	WASHER	6.312-066.0	1,000		
0015	SCREW	9.196-015.0	1,000		
0016	SEAL RING	7.362-003.0	1,000		
0017	SCREW M 10 X 1	7.382-085.0	1,000		
0018	OIL 1 LITRE	6.288-050.0	1,000		

TRIGGER GUN



TRIGGER GUN

POS ITM. POS.	BENENNUNG DESCRIPTION DESIGNATION	TEILE-NR PART-NO NO. PIECE	STCK QTY. NBR	AB WERK-NR FROM SERIAL-NO TO SERIAL-NO	BIS WERK-NR
---------------------	---	----------------------------------	---------------------	---	-------------

0001	TRIGGER GUN	9.112-009.0	1,000		
0002	HP HOSE	9.162-314.0	1,000		
0003	LANCE	9.112-508.0	1,000		
0004	QUICK CONNECT NOZZLE KIT	9.104-016.0	1,000		